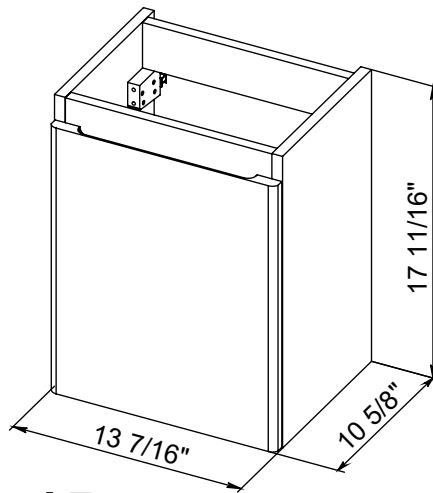




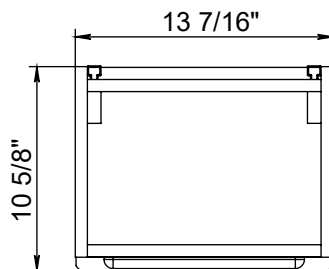
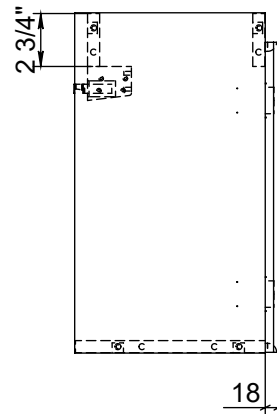
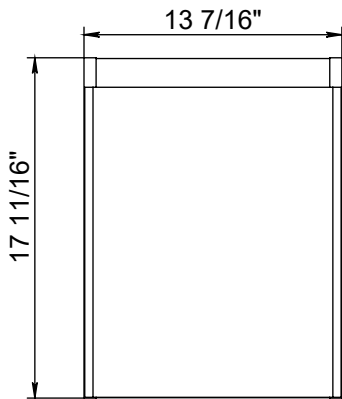
VANITY COMFORT

Series "Comfort Mini"



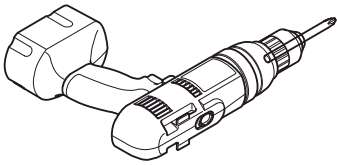
COM-MWM-S-15

15" 13 7/16" x 10 5/8" x 17 11/16"

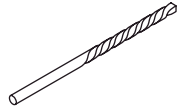


Contacts:
+1(332)777-7005
sales@bathoasis.us
8 New Hook Rd, Bayonne, NJ 07002
www.bathoasis.us

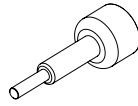
TOOLS REQUIRED FOR ASSEMBLY



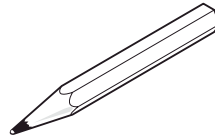
Electrical Drill



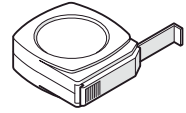
Drill Bit



Bolt Bit



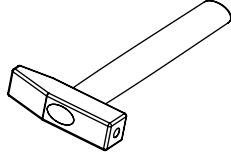
Pencil



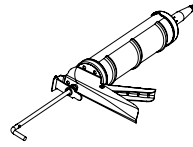
Tape Measure



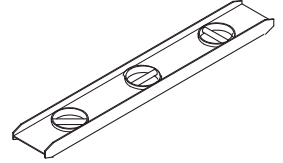
Phillips
Screwdriver



Hammer



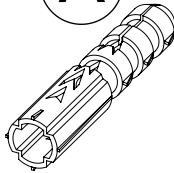
Silicone



Level

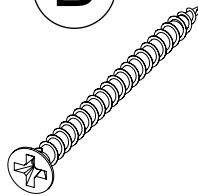
FURNITURE

A



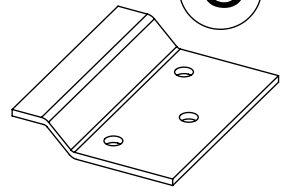
6 PCS

B



6 PCS

C

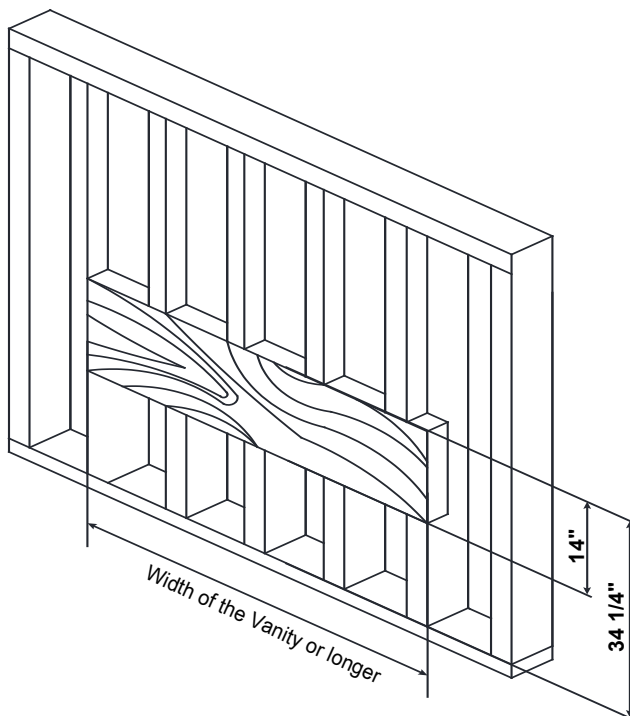


2 PCS

Wall Preparation

The recommended height for a console cabinet with sink is 33-1/2". This requires installing a 14" wide wood panel to a height of 34-1/4".

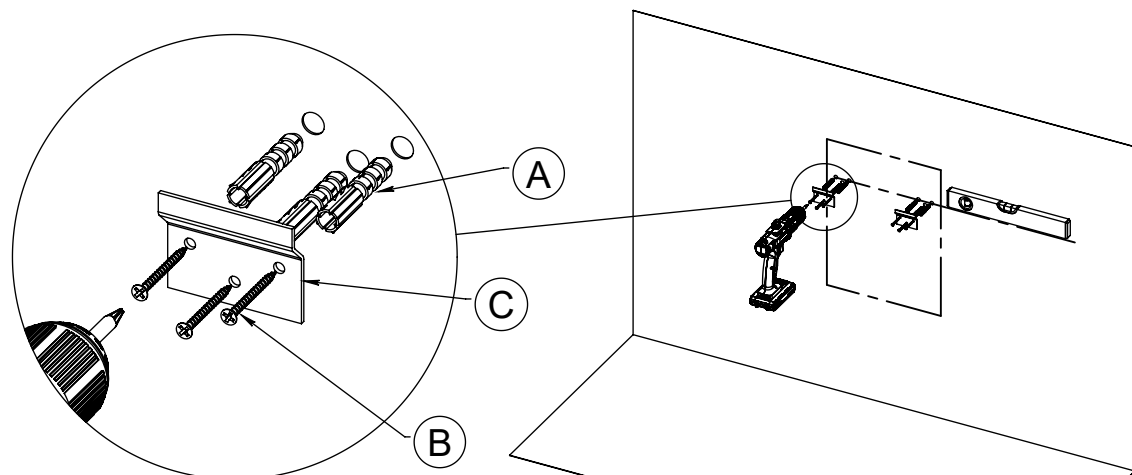
If an alternate height desired, adjust the rough-in and backing material heights using the dimensions provided.



STEP 1.

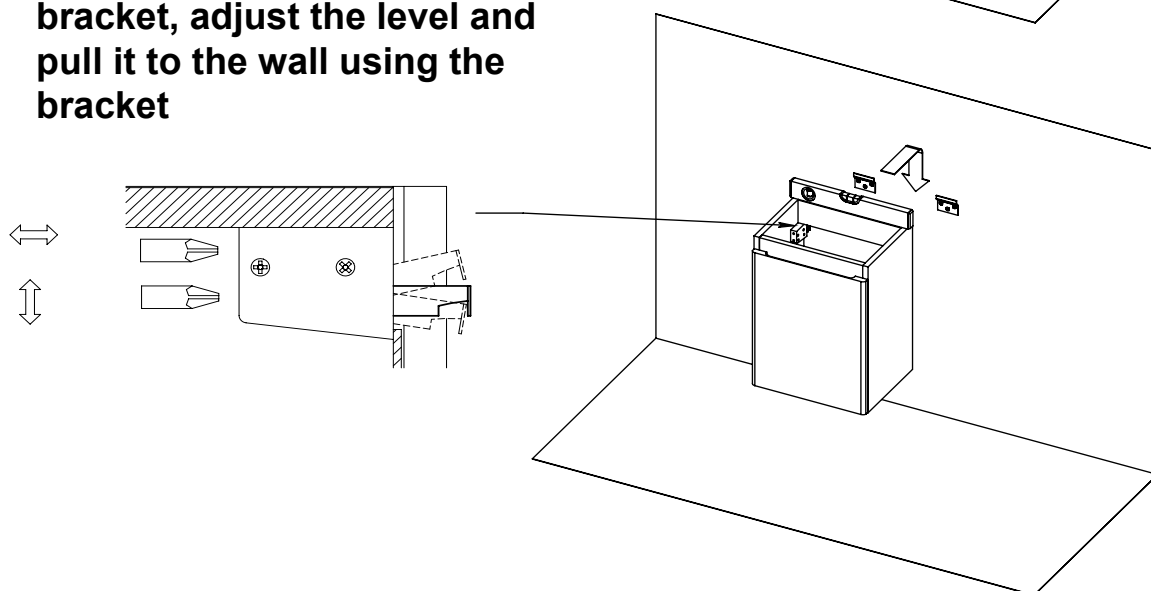
Marking for the cabinet

Having decided on the location of the cabinet, we mark and drill holes in the wall and fix the bracket on the wall



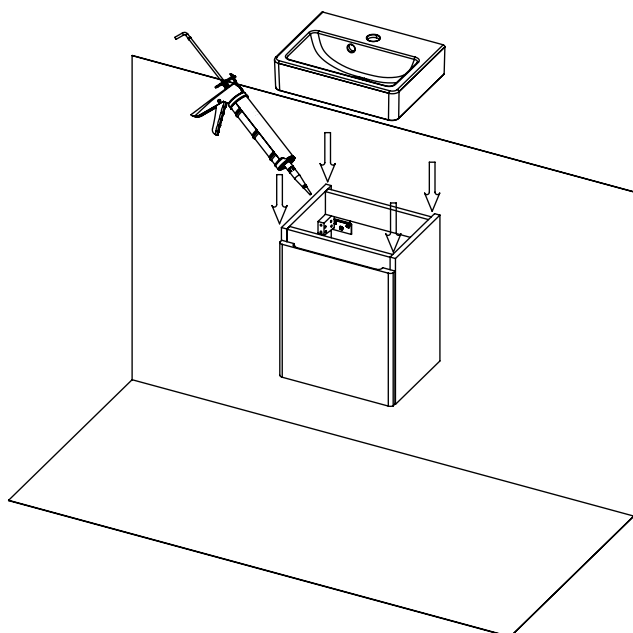
STEP 2.

Install the cabinet on the bracket, adjust the level and pull it to the wall using the bracket



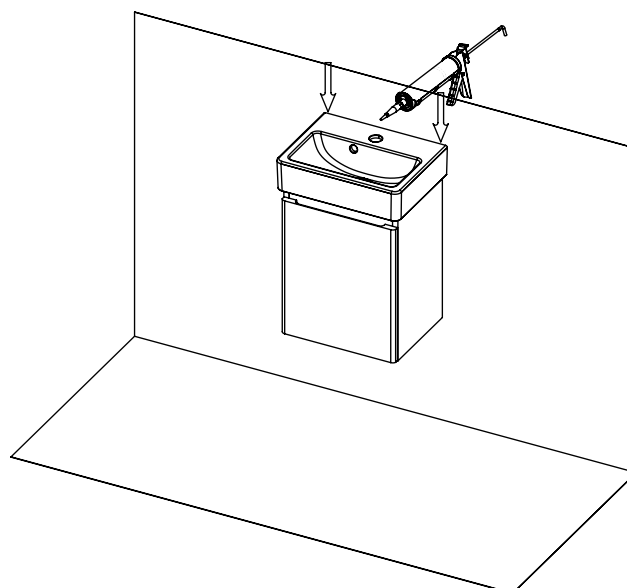
STEP 3.

Install sink top with Silicone



STEP 4.

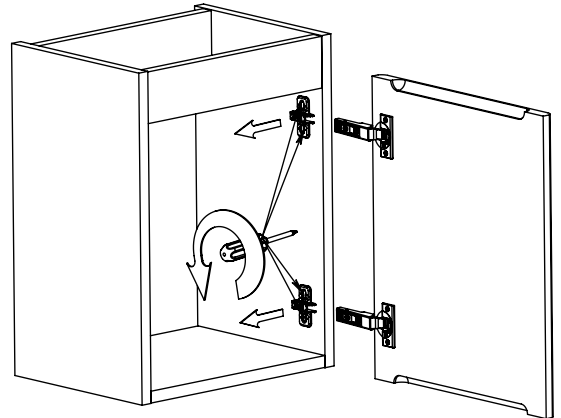
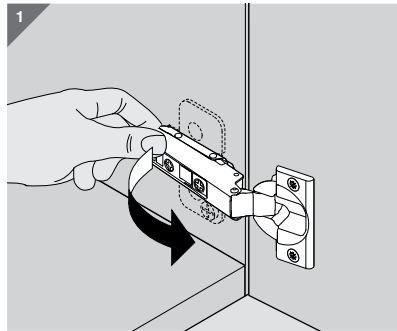
Fill the side against the wall with Silicone and finish



Changing the door from right to left

STEP 1.

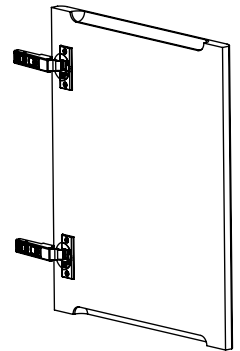
Remove the door with hinges and unscrew the mounting bars



STEP 2.

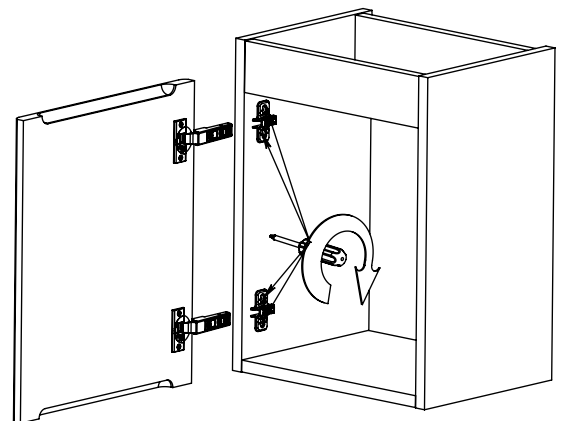
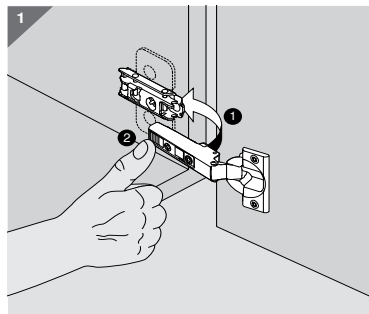
Turn the door by 180°

180°



STEP 3.

On the left side, we fasten the mounting bars and mount the door on it



STEP 4.

Adjusting the door

