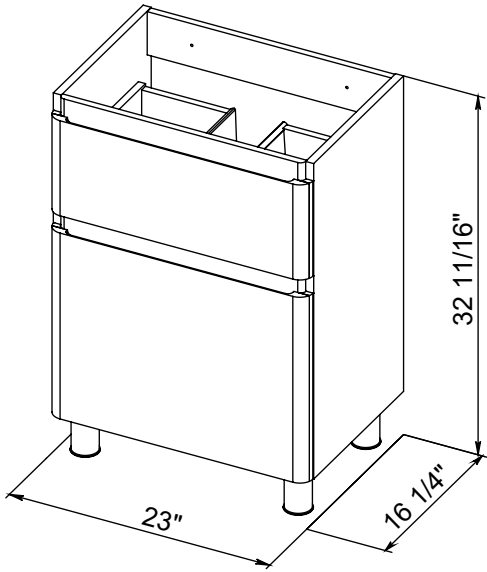


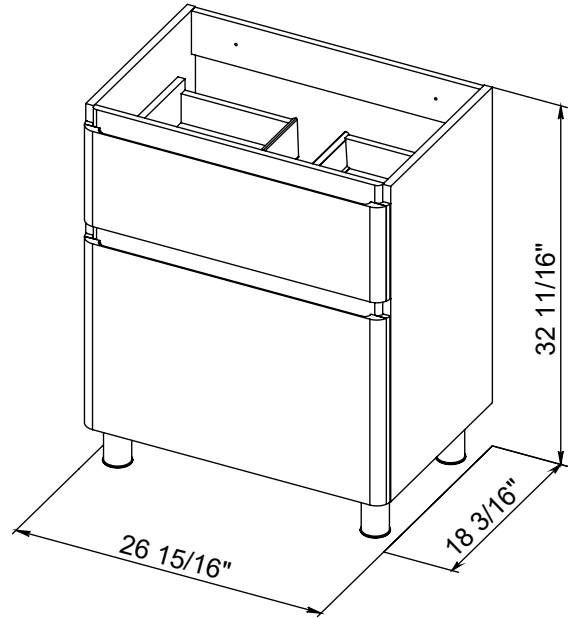
# Bath Oasis

VANITY COMFORT

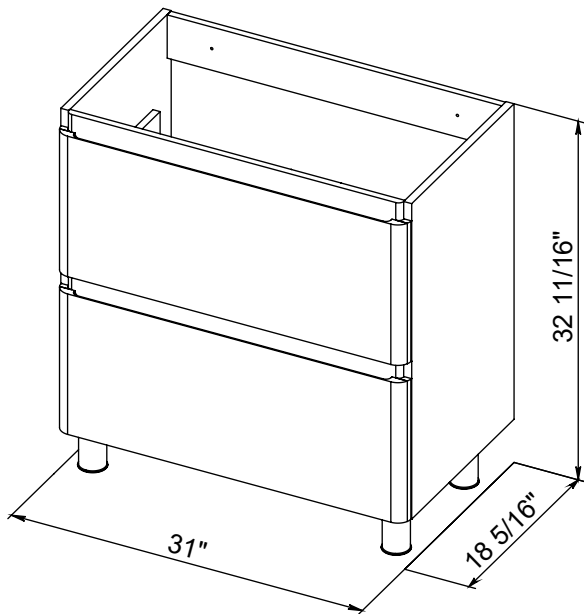
## Series "Comfort"



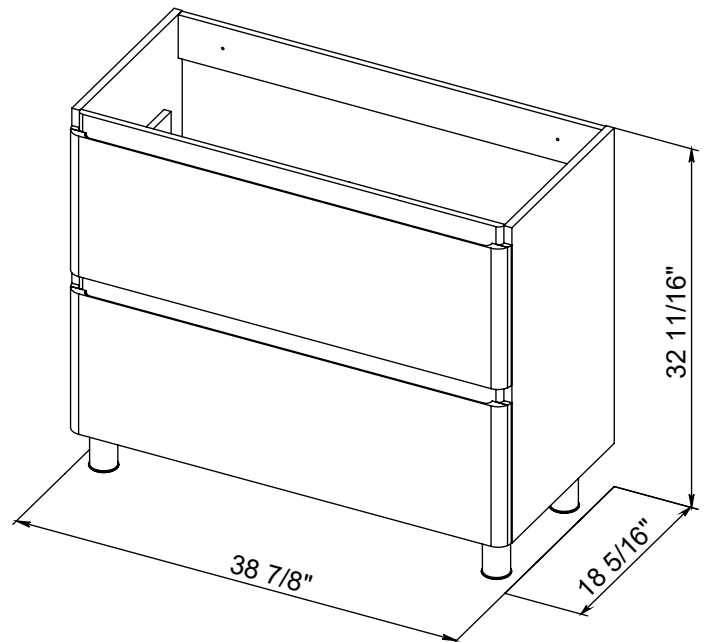
**COM-F-S-24**



**COM-F-S-28**



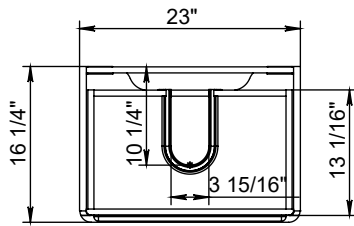
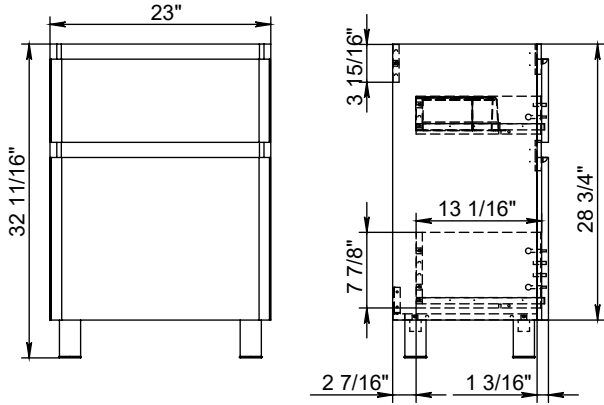
**COM-F-S-32**



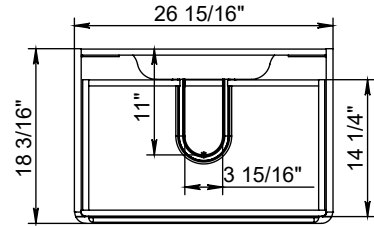
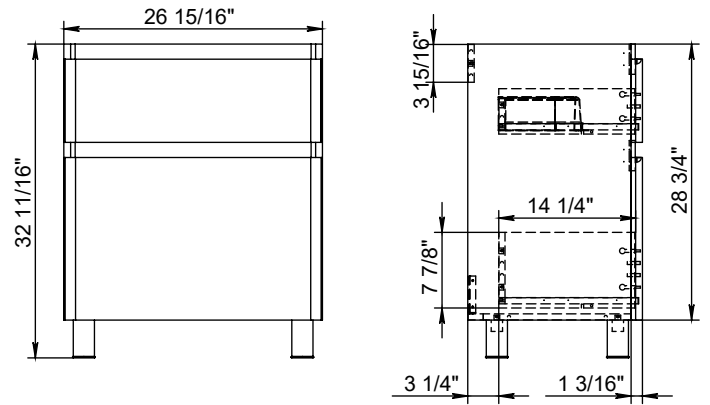
**COM-F-S-40**

Contacts:  
+1(332)777-7005  
sales@bathoasis.us  
8 New Hook Rd ,Bayonne, NJ 07002  
www.bathoasis.us

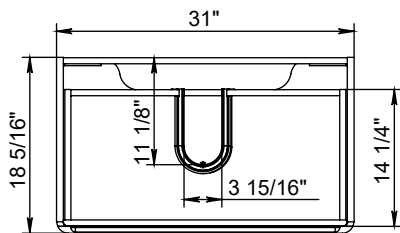
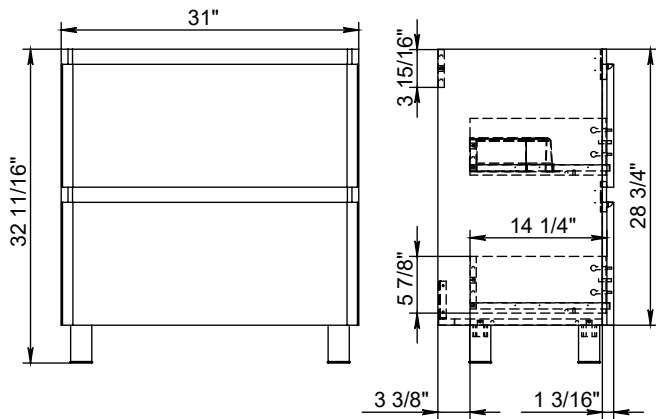
**24"** 23" x 16 1/4" x 32 11/16"



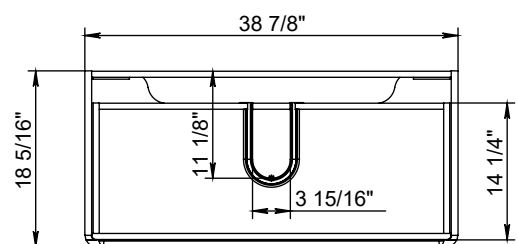
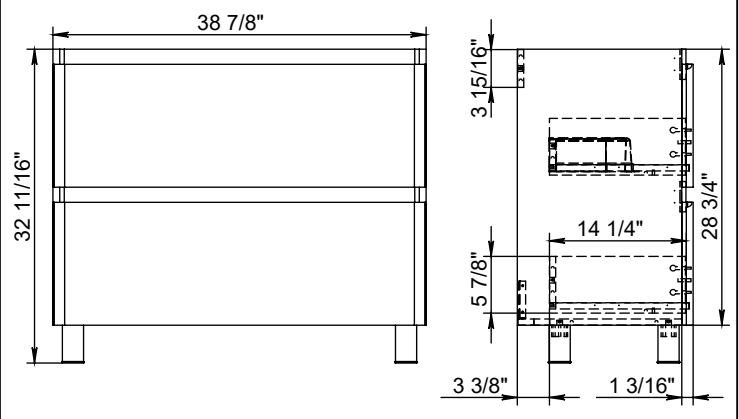
**28"** 26 15/16" x 18 3/16" x 32 11/16"



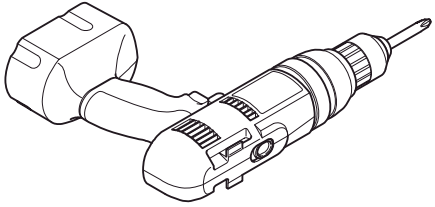
**32"** 31" x 18 5/16" x 32 11/16"



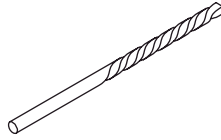
**40"** 38 7/8" x 18 5/16" x 32 11/16"



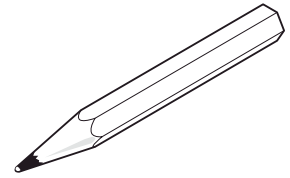
## TOOLS REQUIRED FOR ASSEMBLY



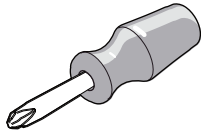
Electrical Drill



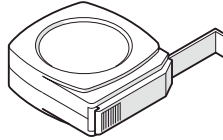
Drill Bit



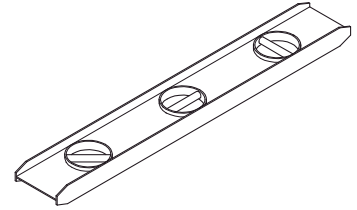
Pencil



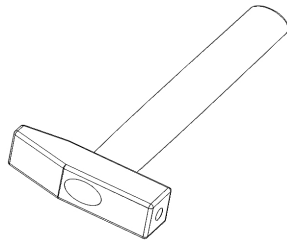
Phillips  
Screwdriver



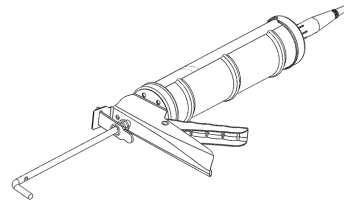
Tape Measure



Level



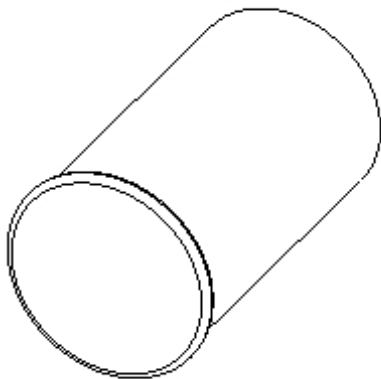
Hammer



Silicone

## FURNITURE

**A**



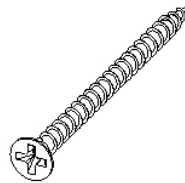
**4 PCS**

**B**



**16 PCS**

**C**



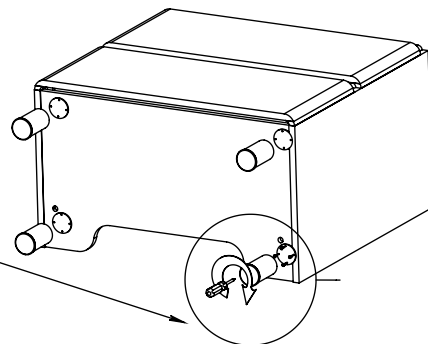
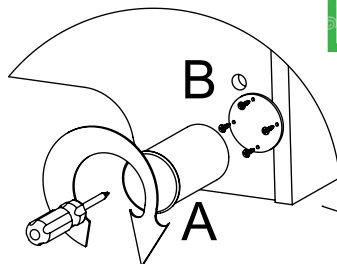
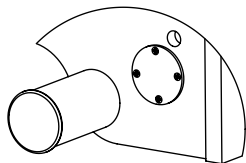
**2 PCS**

**D**

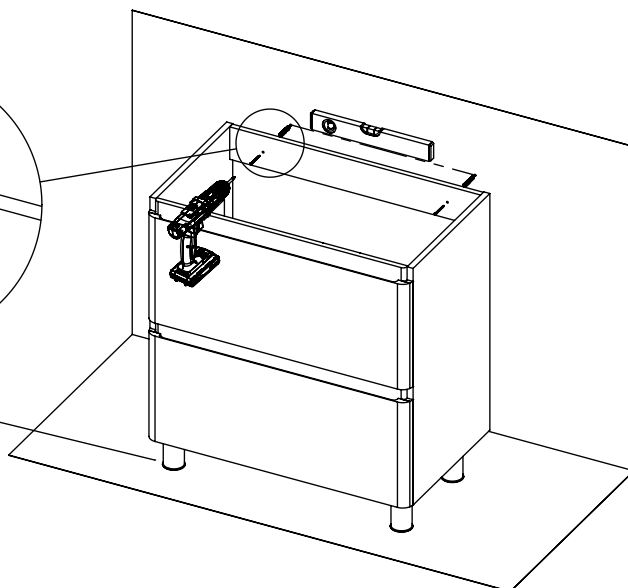
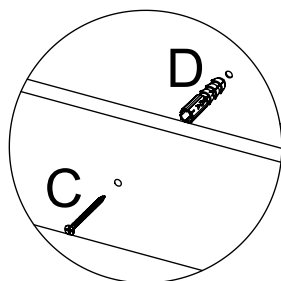
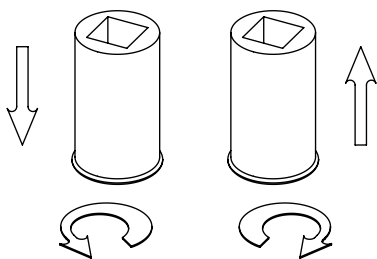


**2 PCS**

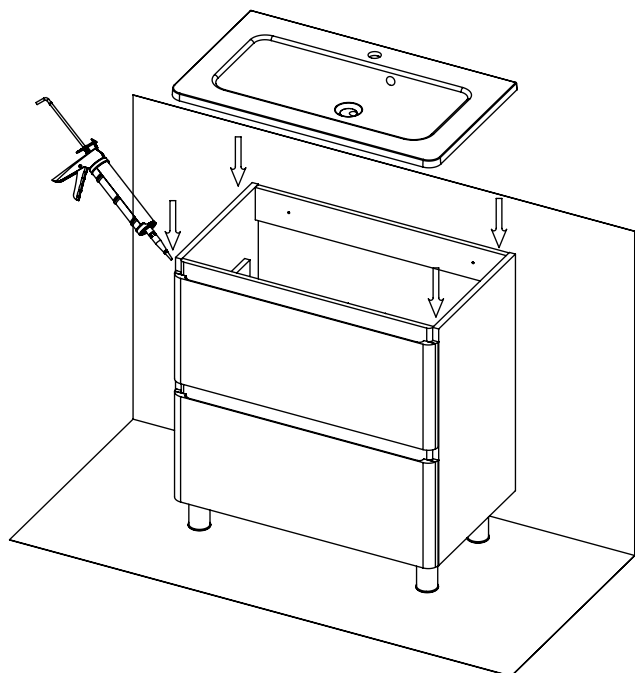
**STEP 1.** Installation of furniture support



**STEP 2.** Cabinet positioning and installation  
Install at the installation site, adjust with a level and fix



**STEP 3.** Install sink top with Silicone



**STEP 4.** Fill the side against the wall with Silicone and finish

